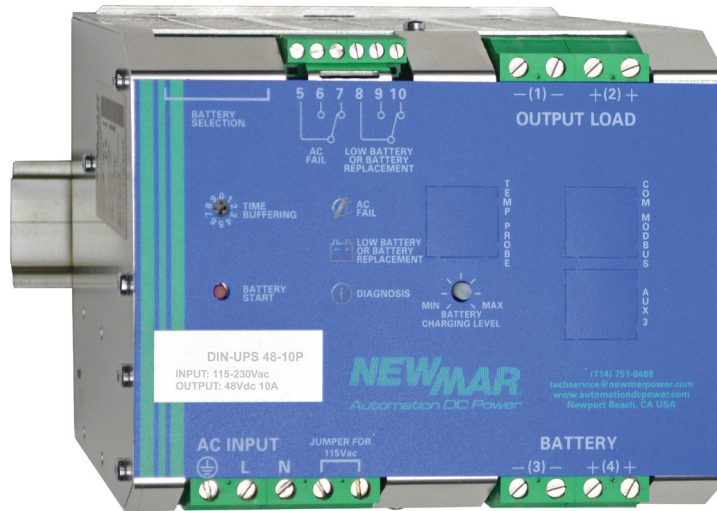


DIN-Rail DC UPS - Parallel

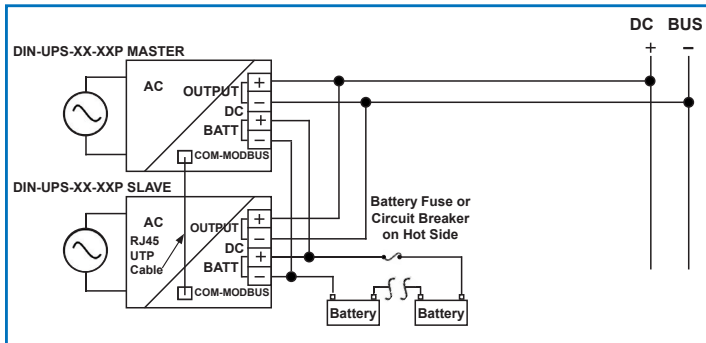


DIN-UPS "P" models can be paralleled for 1+1=2 parallel to obtain double the current of a single non-"P" model. By connecting a standard UTP RJ45 patch cable into each DIN UPS' Modbus jack on the front panel, the two "P" models will create a master and slave combination. This results in a single battery input and a single output. The master unit will display diagnostics/status for the system.

Features

- Combines all system power functions: power supply, battery charger, UPS circuitry and status monitoring in one compact DIN rail mount unit
- Separate outputs for load and battery
- "Load priority" circuit ensures power is dedicated first to the load, with remainder then allocated to battery charging, thus preventing a discharged battery from impacting operation of critical loads.
- 3 step charging option for rapid battery recovery, programmable for battery type, with optional temperature compensation sensor
- Battery automatically supports load anytime AC fails
- Low voltage disconnect prevents total battery discharge
- Operates from 120/240V AC or street light voltage, 277V AC
- High operating temperature range to 70° C
- Alarm contacts: AC fail, battery at risk
- Optional: Automatic periodic battery health diagnosis

Typical Wiring Diagram: DIN-UPS Parallel "P" Models



Options

Temperature Compensation Sensor:

- P/N 468-5940-0: 3 ft.
- P/N 468-5940-1: 10 ft.

RJ45 Patch Cable:

- P/N 873-4512-0: 1 ft.
- P/N 873-4524-0: 2 ft.

For complete specifications on the DIN-UPS series, refer to DIN-Rail DC UPS series.

Model	Output Paralleled "P" Models		Dimensions (H x W x D)	Weight (Lbs.)
	Voltage	Single Unit / Paralleled Units		
DIN-UPS 12-35P	12 VDC	35 Amps / 70 Amps	4.5" x 5.9" x 5.3"/unit	4/unit
DIN-UPS 24-20P	24 VDC	20 Amps / 40 Amps	4.5" x 5.9" x 5.3"/unit	4/unit
DIN-UPS 48-10P	48 VDC	10 Amps / 20 Amps	4.5" x 5.9" x 5.3"/unit	4/unit