

DIN Rail/Wall Mount Battery Cabinet

Instruction Manual

Models: DIN-BATT 12-12 & DIN-BATT 24-7.0

Feature

Battery Bank for use with DIN-UPS. Lead AGM, VRLA technology, maintenance-free lead-acid batteries with series fuse. Simple connection with screws for Wall mount or DIN Rail.

Technical Data	DIN-BATT 12-12/24-7.0
Nominal Input Voltage	12V DC/24V DC
Battery Type	Lead AGM 12 AH (6V)/7 AH (12V)
Battery Dimension (W x H x L)	1.97" x 3.7" x 5.94" (6V x 2) 2.56" x 3.7" x 5.94" (12V x 2)
Protection Fuse	Flat type Mini 25 A (ATM-25)

Charging Data	
Recommended Float Voltage @ 20° C	13.5V DC/27.0V DC
Battery Temperature Compensated Charging Recommended for Wider Operating Temp Ranges*	Float= .003Vx#Cells/°C Absorption= .005Vx#Cells/°C

Discharging Data	
Battery Back-Up	See table below
Max. Permissible Discharging Current	25 A

General Data	
Protection Degree (EN/IEC 60529)	IP 20
Protection Class	III
Connection Terminal Block Screw Type	0.5-16 mm2 (20-6 AWG)
Dimension (W x H x D)	5.47" x 7.99" x 5.07"
Weight	11 Lbs./13 Lbs.
DIN-Rail	35mm

Wall Mount (using fold out tabs)	#10 Screws
Mounting Hardware:	#10 Screws

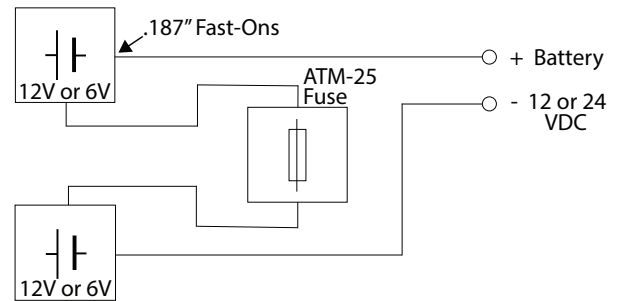
Climatic Data	
Ambient Temperature Operation	0 ... 40° C
Ambient Temperature Storage	0 ... 40° C
Humidity at 25 °C, No Condensation	95 %

Back-Up Time (min)	24V-7.0 AH	12V-1.2 AH
Load 1.5 A	400	200
Load 3 A	240	12
Load 5 A	100	55
Load 7.5 A	60	30
Load 10 A	45	20
Load 12 A	30	12
Load 15 A	20	9
Load 20 A	13	7

*DIN-UPS Temp Probes:
3 Ft. Temp. Probe: P/N: 468-5940-0
10 Ft. Temp. Probe: P/N: 468-5940-1

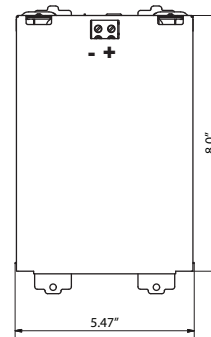
48 Volt Note: For 48V DC applications use two DIN-BATT 24-XX and wire them in series with a jumper wire and connect the battery terminals on the DIN-UPS 48-XX or BDS 48-XX to the positive (+) terminal on one DIN-BATT 24-XX and to the negative (-) battery terminal on the 2nd DIN-BATT 24-XX.

Electrical Diagram

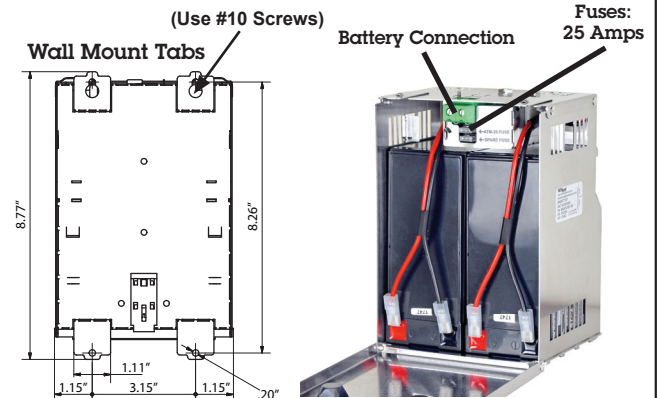
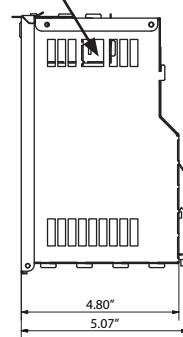


Drawings

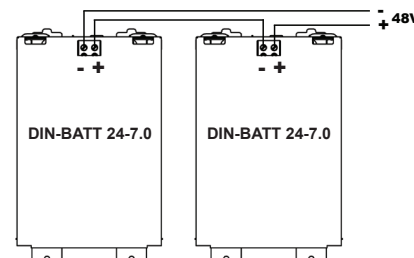
DIN Rail Mount



Battery Temperature Compensation Sensor Access Opening



24V DIN-BATTs Wired In Series for 48V DC Application



M-DINBATT-LG
As of 101017