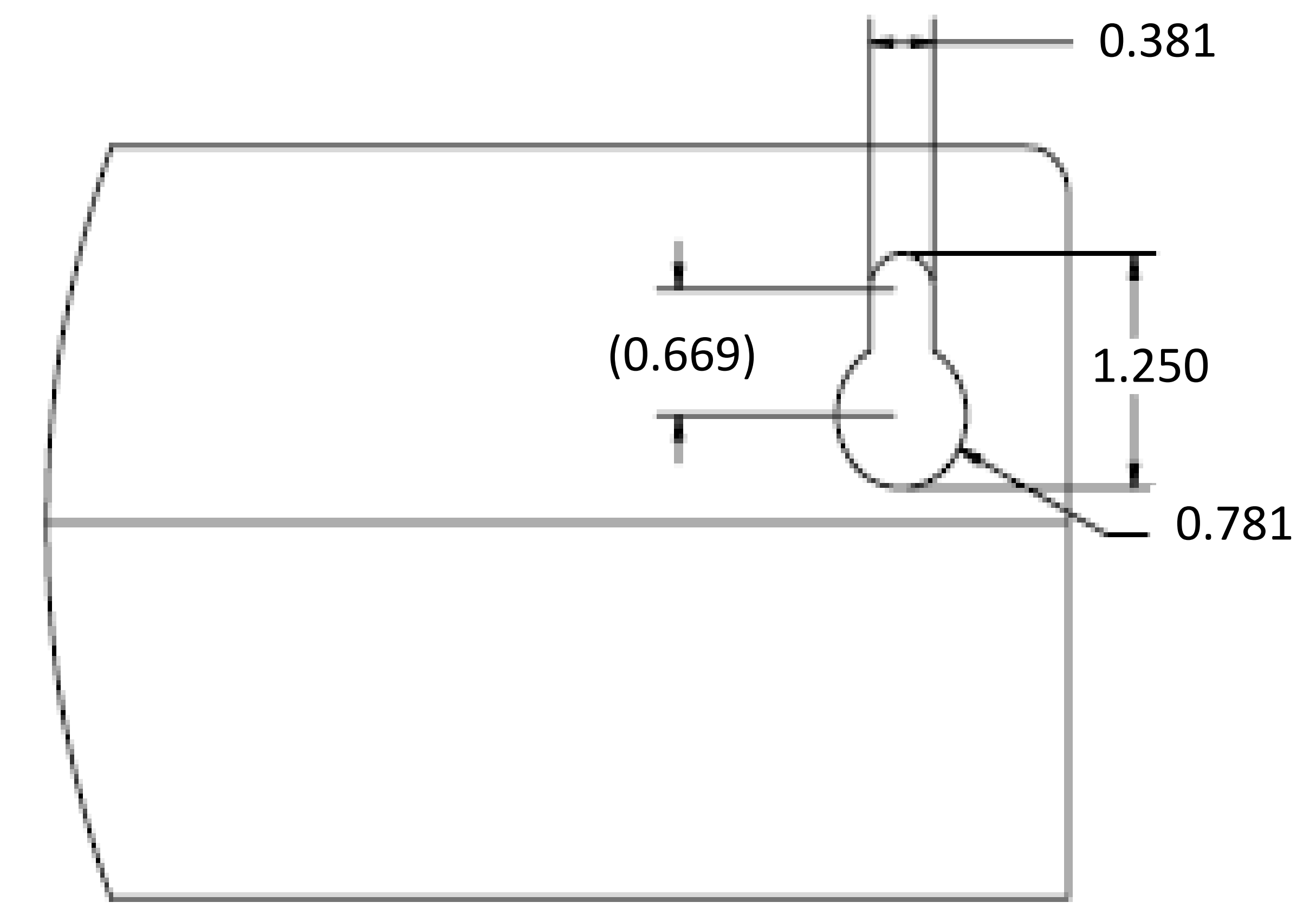
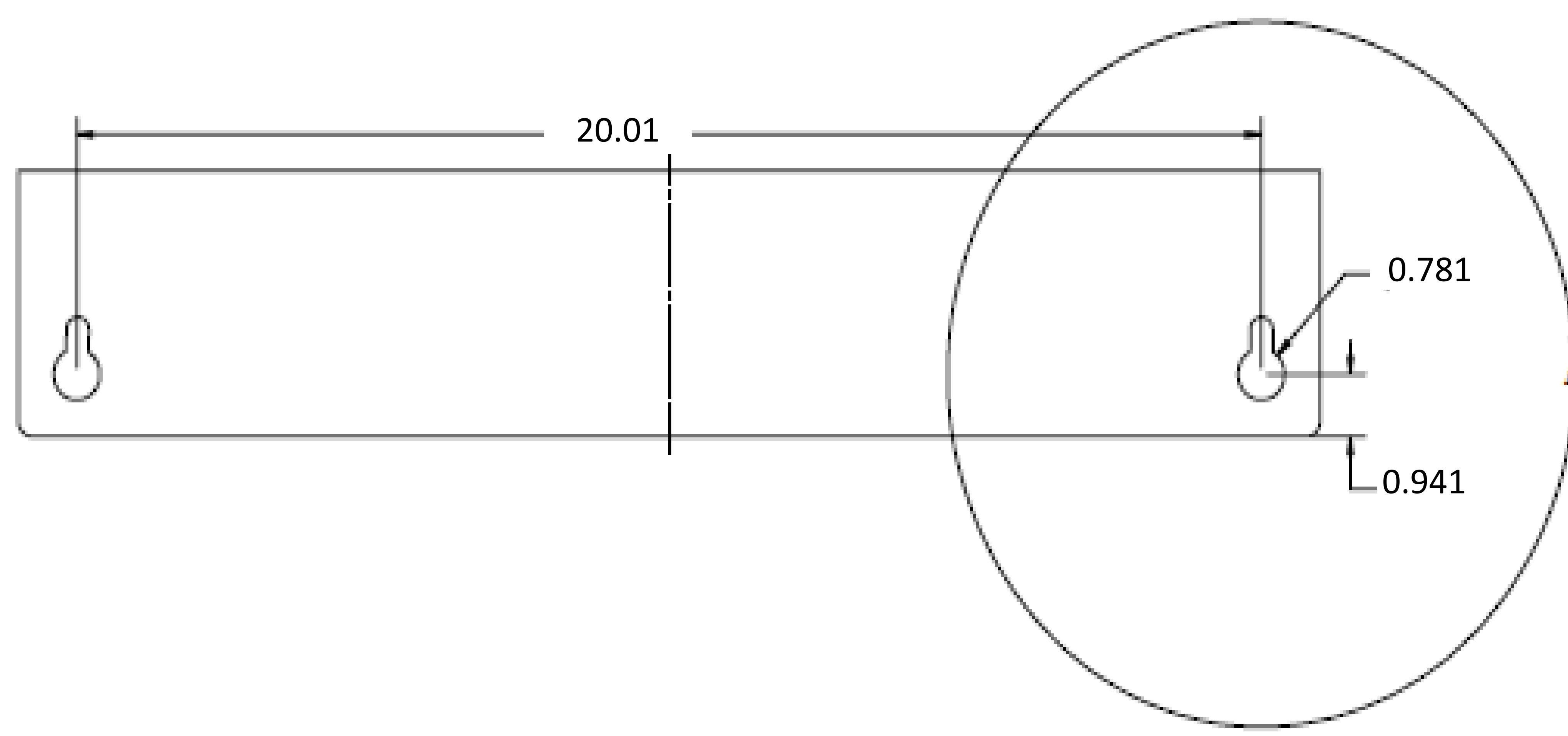
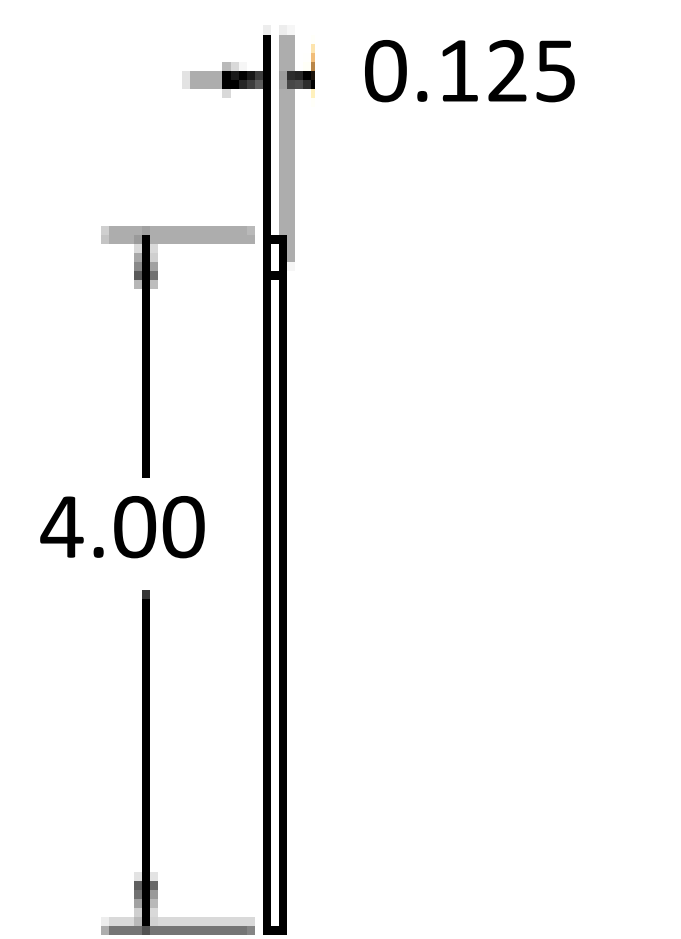


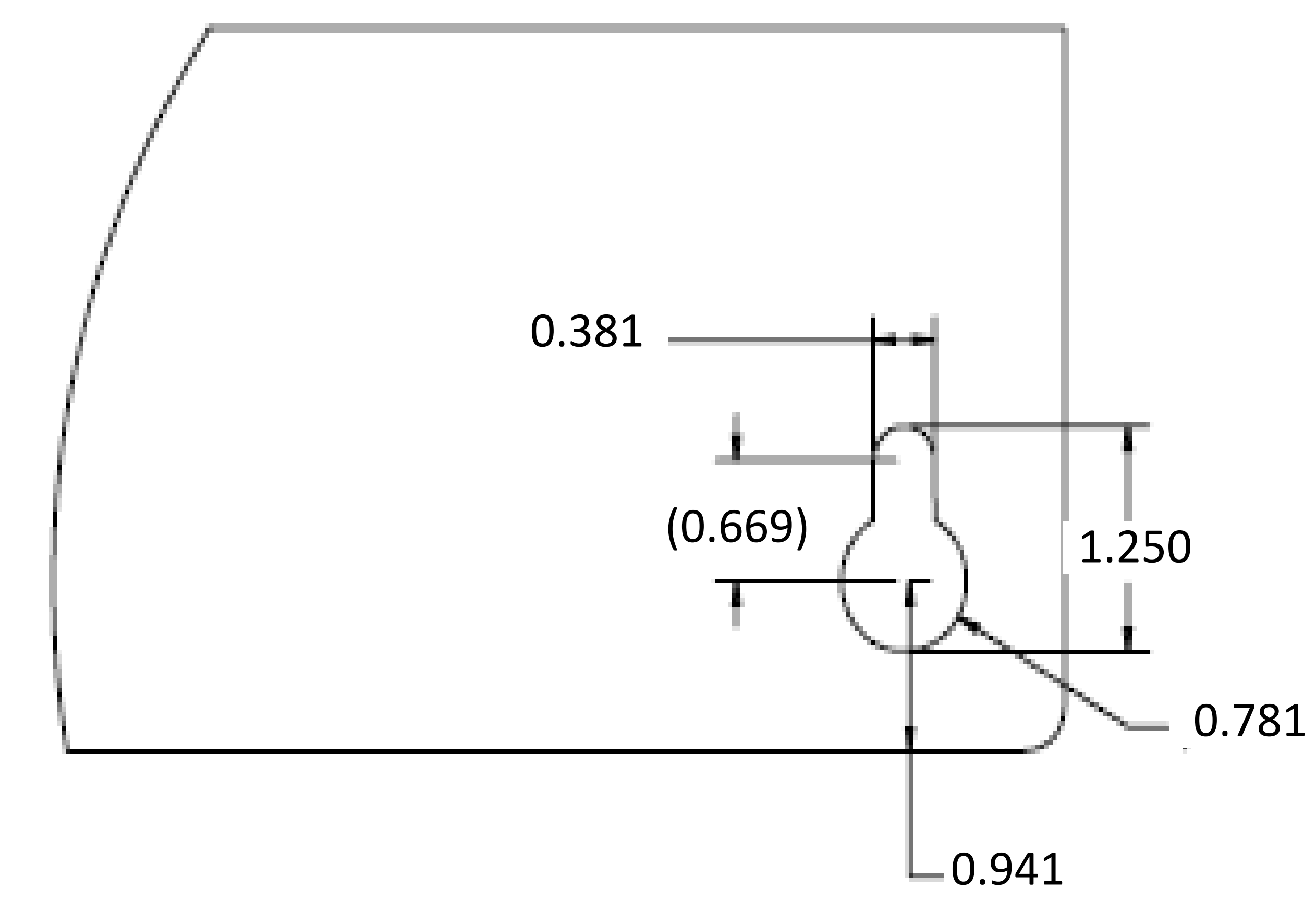
TOP MOUNTING LIP



**DETAIL B
SCALE 1:1**



BOTTOM MOUNTING LIP



**DETAIL A
SCALE 1:1**

